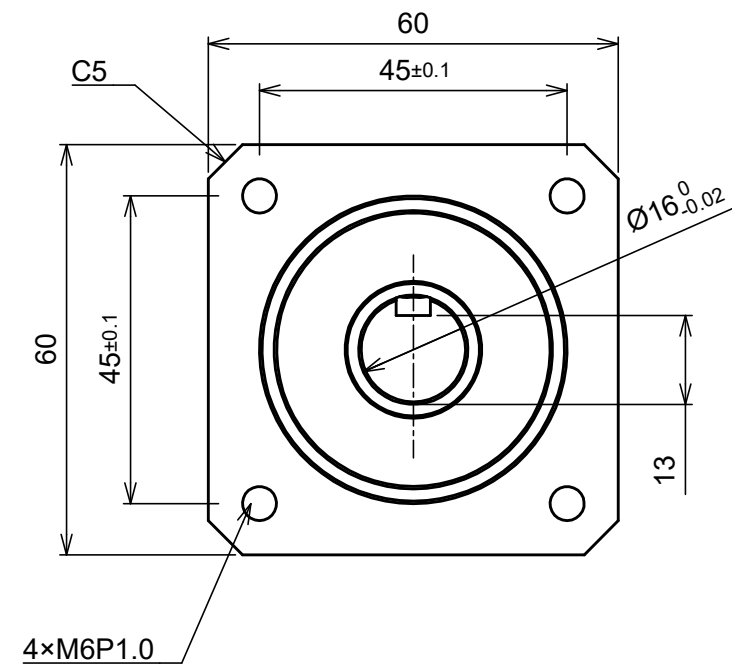
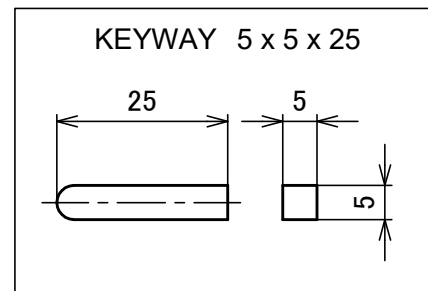


Reduction Ratio	Gear Box	"L" Dimension
67	3-Stage	245
45		
33		
27	2-Stage	220
18		
15		
11		
09		



PGD024-SE2-xxWAA	
DESIGN	2 AND 3 STAGE GEAR BOX
SHAFT FINISH	5X5X25 KEY-WAY
OPTION	WASHDOWN - IP66
CUSTOM OPTION	NONE - STANDARD
CONNECTOR	M8 - SENERGY-AI

REV.	DATE	DESCRIPTION	✓

THE INFORMATION CONTAINED HEREIN IS CONFIDENTIAL, IS SUBMITTED IN CONFIDENCE, AND IS PROPRIETARY INFORMATION OF PULSEROLLER AND SHALL BE USED ONLY IN CONJUNCTION WITH AND PERFORMANCE OF THE CONTRACT OF WHICH THIS DRAWING FORMS A PART, AND SHALL NOT, WITHOUT PULSEROLLER PRIOR WRITTEN APPROVAL, BE REPRODUCED OR IN ANY OTHER WAY USED IN WHOLE OR IN PART BY OTHERS.

DATE: 14-JUL-2021  
 DESIGNED BY: J.P.K.  
 CHECKED BY: Y.A.  
 SCALE: NONE  
 SHEET: 1 OF 1

TITLE: WASHDOWN PGD Ai 2 & 3 STAGE GEARBOX  
 PART NUMBER PGD024-SE2-xxWAA  
 FOR: SENERGY-Ai MOTOR DRIVE  
 PULSEROLLER STANDARDS  
 DWG. NO: PGD024-SE2-xxWAA  
 REV:



**PULSEROLLER**

www.pulseroller.com  
 global\_support@pulseroller.com  
 support@pulseroller.com  
 global\_sales@pulseroller.com  
 sales@pulseroller.com